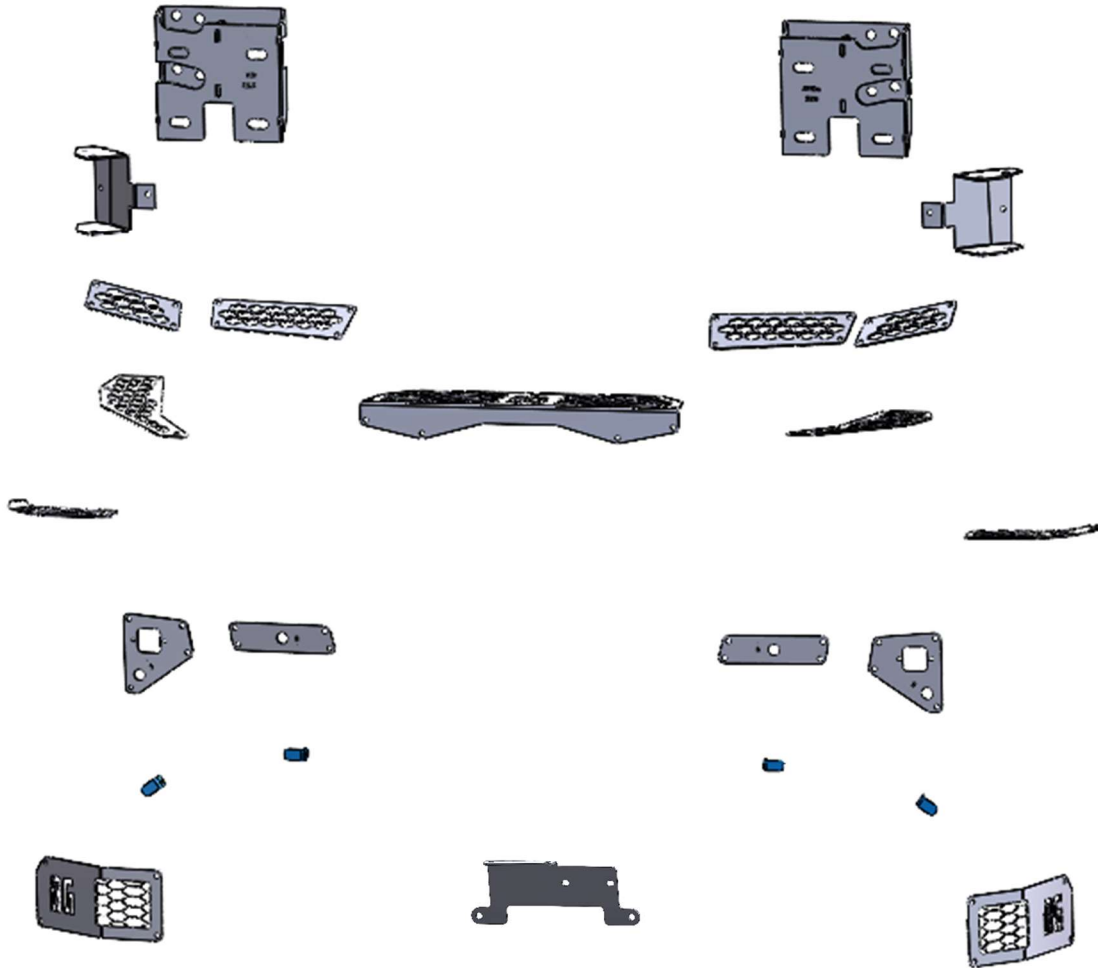
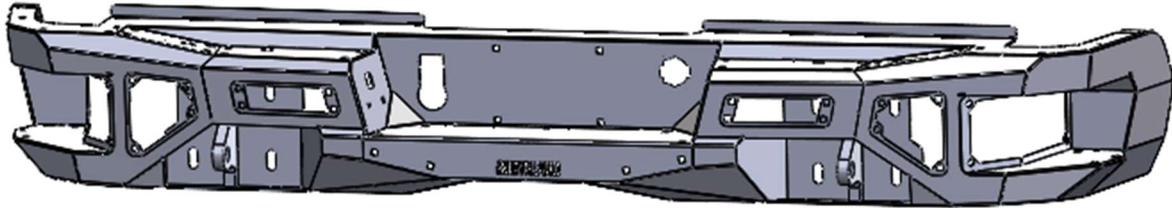
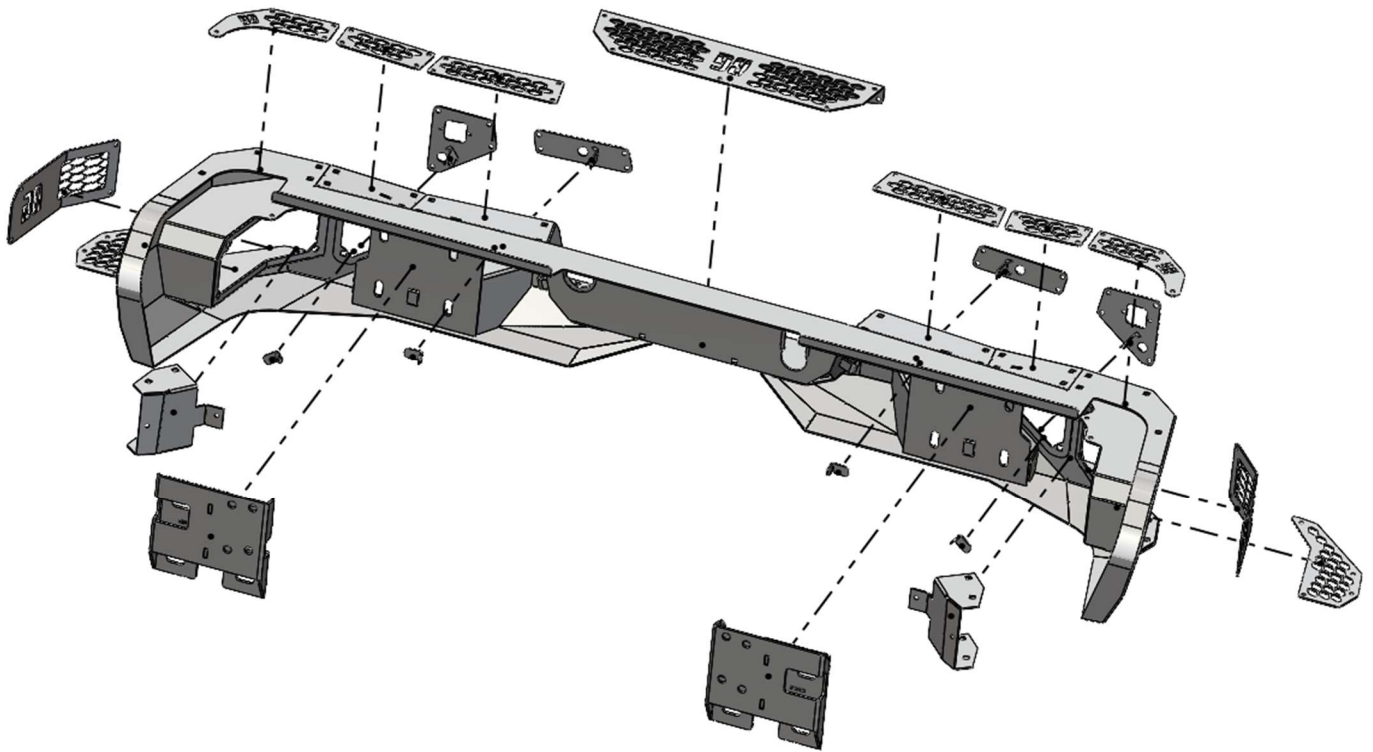


# INSTALLATION GUIDE

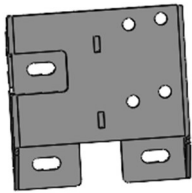
## PARTS



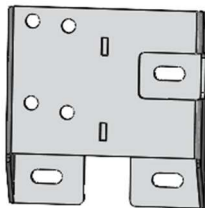
EXPLODED VIEW



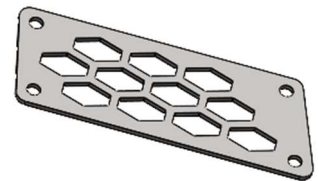
**EXPLODED VIEW 2**



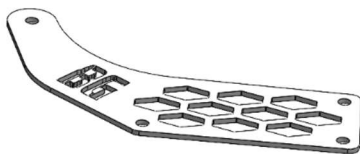
**Driver Side Truck Mount**



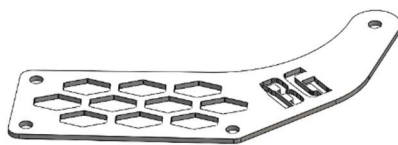
**Passenger Side Truck Mount**



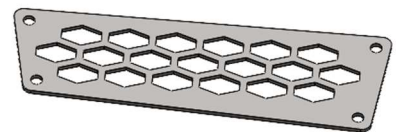
**Outside Top Step Pads x2**



**Driver Side Outside Top Corner Step Pad**



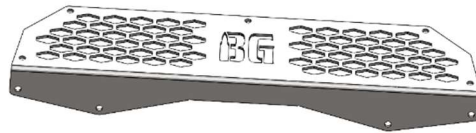
**Passenger Side Outside Top Corner Step Pad**



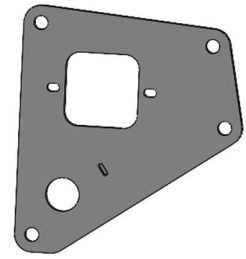
**Inside Top Step Pads x2**



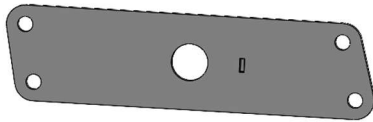
Outside Bottom Corner Step Pads x2



Center Step Pad



Outside Sensor and Cube Light Plate x2

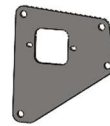


Inside Sensor Plate x2

OTHER OPTIONS



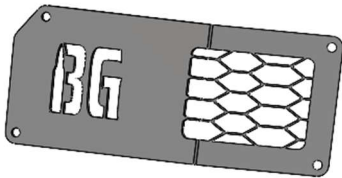
No sensors



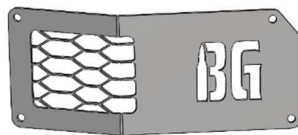
Lights no sensors



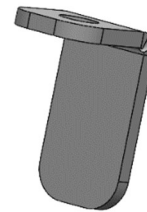
No sensors



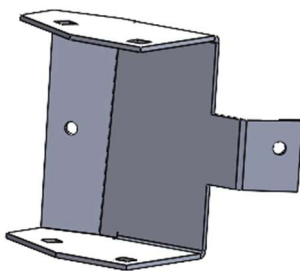
Driver-side Step Back



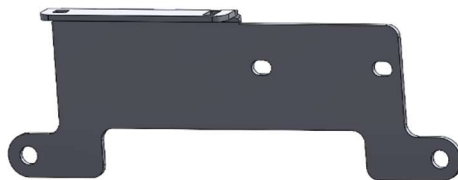
Passenger-side Step Back



Sensor Tabs x4



Blind-spot Sensor Bracket x2



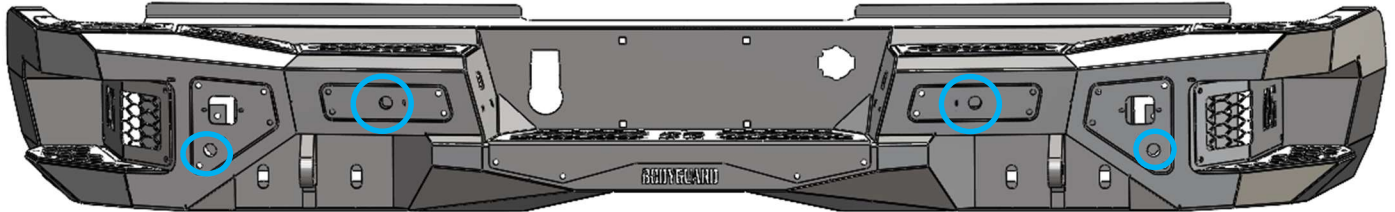
Control Module Bracket

# HARDWARE

<b><u>License Plate</u></b>	<b><u>Qty</u></b>
Plastic License Plate Nuts	4
#14 x 5/8" Zinc License Plate Screw	4
<b><u>Bolt-in Step Pad and Light/Sensor Plates and Blind Spot Monitor</u></b>	<b><u>Qty</u></b>
1/4-20 x 5/8 Long, Stainless Steel SBHCS	65
1/4-20 (.093-.126: Panel Range) Zinc Electroplate Spring Steel Cage Nut	65
<b><u>Parking Sensor Brackets and Control Module Bracket</u></b>	<b><u>Qty</u></b>
1/4-20 x 5/8 Long, Stainless Steel SBHCS	6
1/4-20 Hex Grade 5 Serrated Flange Nut, Stainless Steel	6
<b><u>Truck and Bumper Mounts</u></b>	<b><u>Qty</u></b>
1/2-13 x 1-1/2 Long, Grade 8 HB Zinc-Yellow	4
1/2" Washer, Grade 8 Zinc-Yellow	16
1/2"-13 Grade 8 Steel Serrated Flange Nut Zinc	12
1/2"-13 x 1-1/4" BLACK Hex Bolt	8
1/2" BLACK Flat Washer	8

# PARKING SENSOR INSTALL (OPTIONAL)

1. If your vehicle is equipped with parking sensors install in the four points indicated below. Ensure that sensors are placed in their original locations based on OEM installation



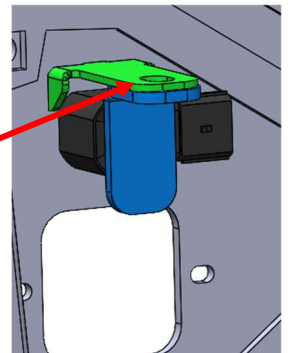
1. Next, install the sensor tab over the sensor as shown. Slide the sensor and sensor tab into position and tighten down with a 1/4"-20 x 5/8" BHCS screw. Plug the parking sensors into the harness and let the center mesh and fog light trim rings loosely hang down.



1x - 1/4-20 x 5/8 Long, Stainless Steel SBHCS

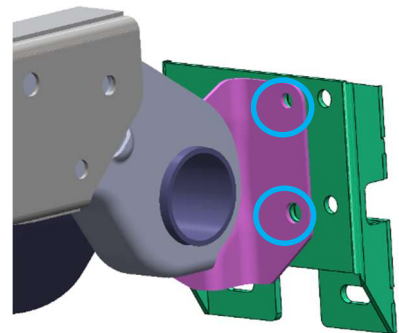


1x - 1/4-20 Hex Grade 5 Serrated Flange Nut, Stainless Steel



# MOUNT INSTALL

1. Install the bumper mounts to the frame using the supplied **(4) 1/2"-13 x 1-1/2" Yellow Zinc Grade 8 Hex Bolt** and **(4) 1/2"-13 Grade 8 Steel Serrated Flange Nut Zinc**
2. This mount is used for both HD and LD models. The inner set of holes is for the HD models (circled in blue). The outside set of holes is for the LD models.



Driver Side

## CONTROL MODULE BRACKET INSTALLATION *(If applicable)*



1x - 1/4-20 x 5/8 Long, Stainless Steel SBHCS



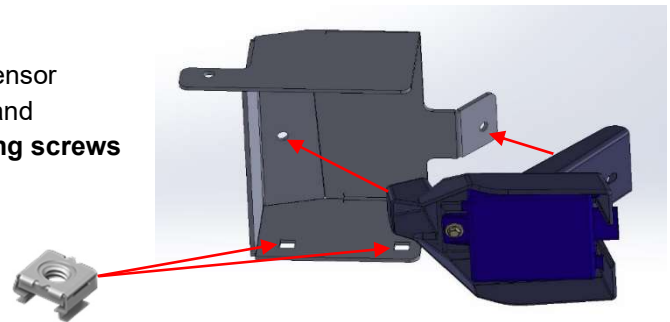
1x - 1/4-20 Hex Grade 5 Serrated Flange Nut, Stainless Steel

1. Some trucks will have a plastic bracket that is clipped to the factory bumper that holds two modules. We provide a bracket that allows these modules to be located in the same location after uninstalling the OEM bumper.
2. Install the two modules by clipping the one shown on the left in. Then bolting the one on the right down with **(2)1/4-20x5/8 long stainless-steel bolts and nuts**.
3. Install the bracket to the factory receiver hitch by removing the clip nuts from the receiver hitch and installing the clip nuts to the new bracket. Then secure the bracket with factory hardware that was used to bolt the OEM bumper to the trailer hitch.

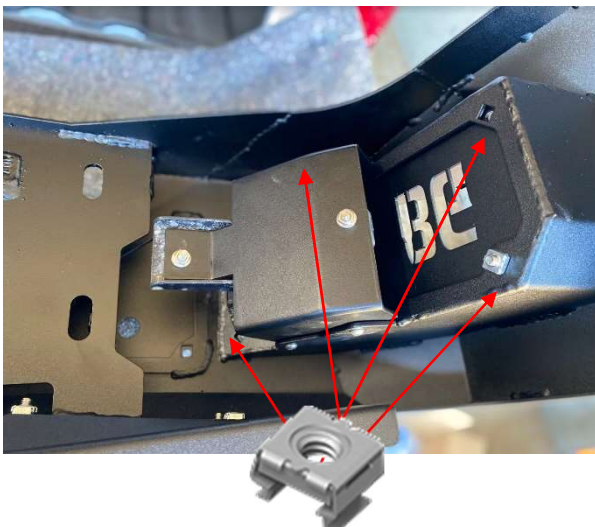
## BLIND SPOT MONITOR INSTALL

1. Install provided Cage Nuts into square inserts on the BG Sensor Mounting Bracket. Then install the factory Blind Spot Sensor and Housing to the Mounting Bracket using **(2) 1/4 - 20 X 5/16 Long screws** and **(2) 1/4 - 20 nuts**.

Note: If your truck does not have the factory Blind Spot Monitor Sensor please skip to **Bumper Install Section**.



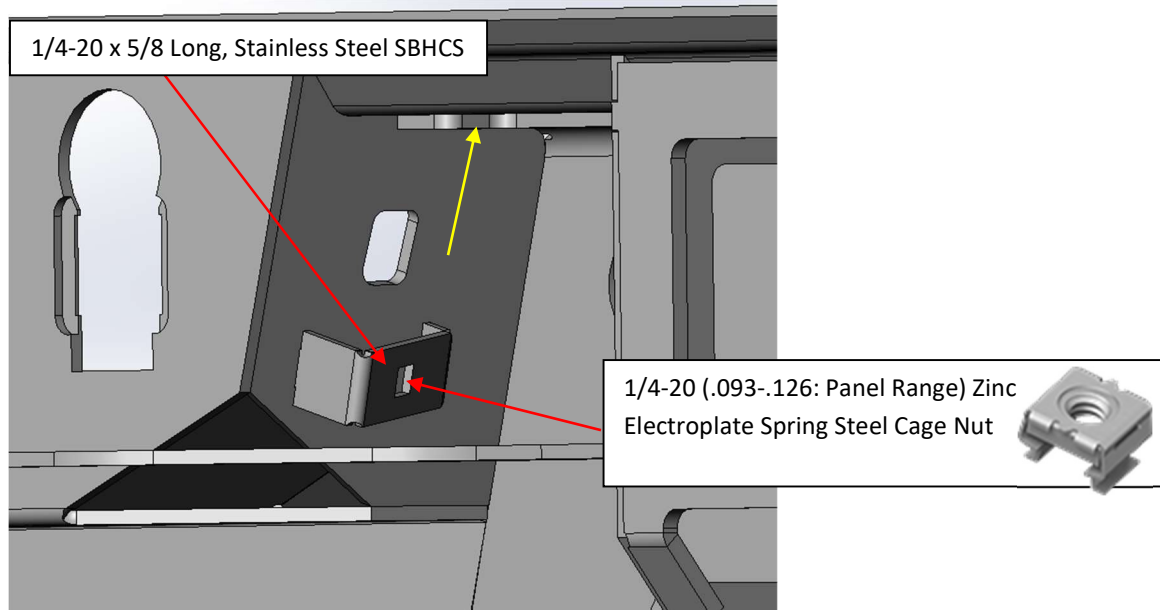
1/4-20 x 5/8 Long, Stainless Steel SBHCS



2. Install the Blind Spot Sensor assembly onto bumper using **(3) 1/4-20x5/8 long stainless-steel bolt** and **1x 1/4 - 20 nuts**.

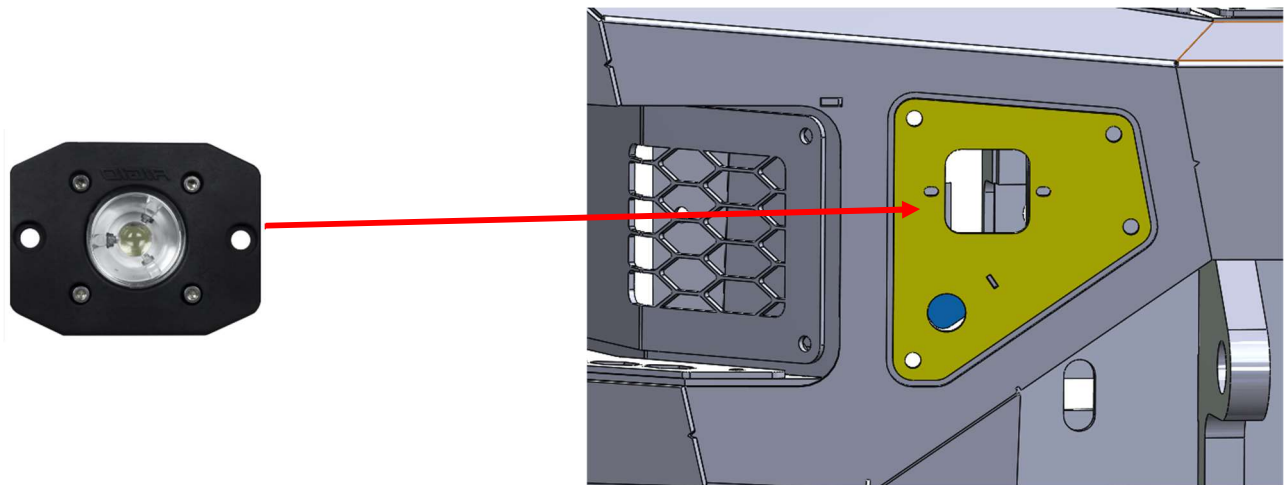
## TAG LIGHT INSTALL

1. You will install the cage nut and secure the license plate light to the bumper using 1x 1/4-20x5/8 long stainless-steel bolt. The tag light will slide into a slot cutout on the top of the bumper shown by the yellow line



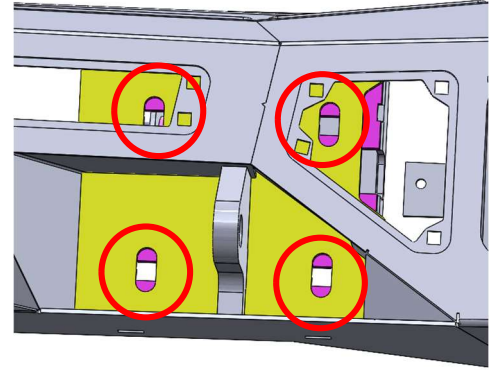
## LED LIGHT INSTALL

1. The bolt-on outside sensor plate accepts Rigid Ignite Series flush mount backup lights.



## BUMPER INSTALL

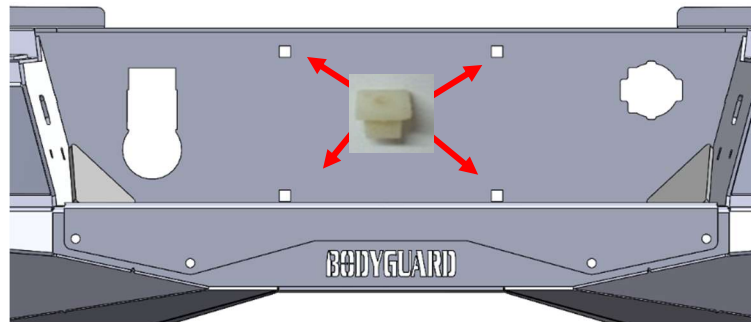
1. Bolt the bumper to the frame mounts using the supplied: (8) 1/2"-13 x 1-1/2" Stainless Steel Hex Bolts, (8) 1/2" Stainless Steel Flat Washer and (8) 1/2"-13 Grade 8 Steel Serrated Flange Nut Zinc.
2. Leave enough space to adjust the bumper as needed into position. Using a tape measure, adjust the bumper vertically and horizontally to the desired body gaps. Once the bumper is lined up, tighten all hardware for the bumper and the mounts. Using jack stands or an additional person to help support the bumper is recommended



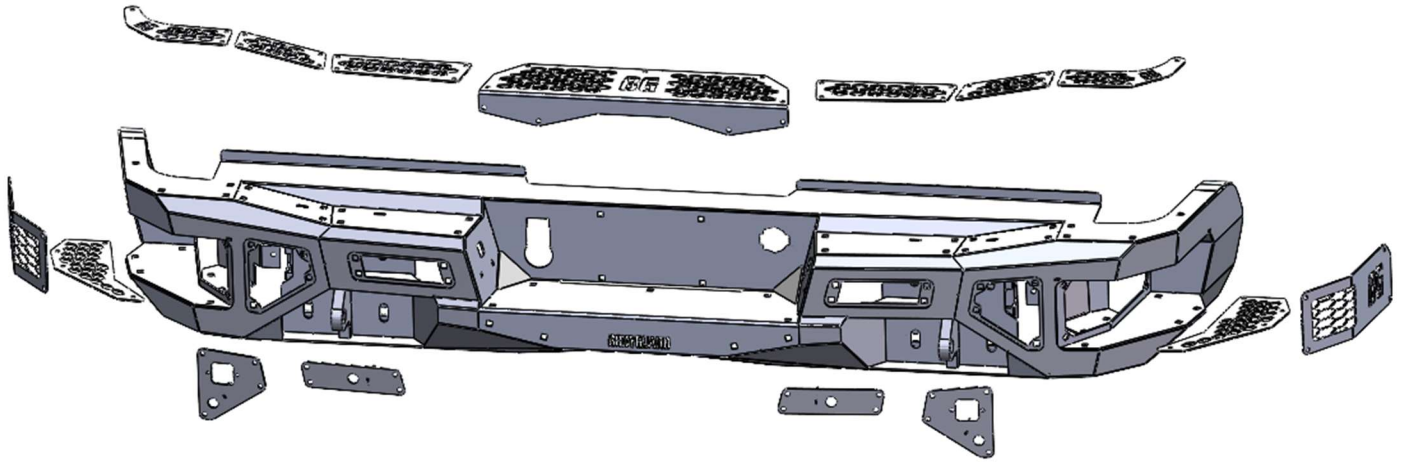
Passenger Side Pictured

## LICENSE PLATE INSTALLATION

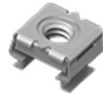
1. Insert plastic license plate plastic nuts into bumper and mount license plate using the license plate screw and a power drill.



# STEP PADS AND PLATE INSTALL



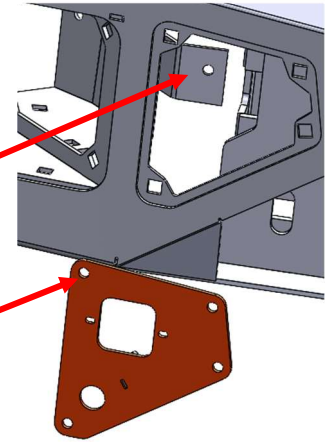
1. For all pictured plates, place cage nuts into square receiver holes. Then use 1/4" screws to attach plates to bumper.



1/4-20 (.093-.126: Panel Range) Zinc Electroplate Spring Steel Cage Nut



1/4-20 x 5/8 Long, Stainless Steel SBHCS



# SAFETY

## THE SAFETY OF YOU AND OTHERS IS VERY IMPORTANT TO US!

To minimize this risk and make an informed decision about safety, it is important that you carefully read and follow the installation instructions we have provided.

We urge you to use your own good judgment and allow plenty of time for installation.

# HAZARD CHECKLIST

1. Always wear personal protective equipment (PPE) such as: protective eye wear, gloves, close toed shoes, etc.
2. We recommend that you use a certified mechanic or shop for professional installation.
3. Always set emergency brakes on vehicle and use tire blocks to ensure vehicle stabilization.
4. Use caution when lifting, we recommend the use of equipment to help lift bumpers into place.
5. Use caution when using power tools such as air ratchet, etc.
6. Take caution when installing wiring.
7. Perform regular inspections of hardware, bolts, brackets, etc.
8. Rigid light brackets are specifically designed to fit Rigid lights, we do not guarantee off brand fitment.
9. Our winch mount is designed for Warn and Superwinch products. We do not guarantee off-brand fitment.

# USE & RISK

Bodyguard Products LLC is not responsible for damage to our products, or other subsequent damage that might occur because of misuse or improper installation. While we do manufacture products that appear stronger than factory parts, our products should not be viewed or relied upon as life-saving devices in the event of a collision or rollover. We make no claims relating to airbag compatibility, crashworthiness, or sturdiness. It is the customer's responsibility to check with the vehicle manufacturer or auto dealer regarding airbag compatibility and automobile manufacturer's warranty before installing our products.

# FINISHING UP

- Install shackles.
- Confirm that all hardware is tightened, and everything is secure.
- Secure wiring harnesses for lights and sensors.
- Test all lighting and wiring before using vehicle (fog lights, sensors, etc.).
- Periodically check that all hardware is tightened and that all wiring and connections are secure.
- Periodically check that all sensor plugs are secure.
- Routinely wash bumper to maintain the powder coat finish.

# FEEDBACK

We'd love to hear from you!

Please send your pictures, testimonials, comments, or suggestions to us by email at [info@bodyguardbumpers.com](mailto:info@bodyguardbumpers.com). We frequently use customer pictures for brochures and marketing materials, and we always welcome customer feedback to ensure quality improvements within our company. Thanks for your purchase; we appreciate your business very much!

Where **STRENGTH** Meets *Style!*™



@BodyguardBumpers